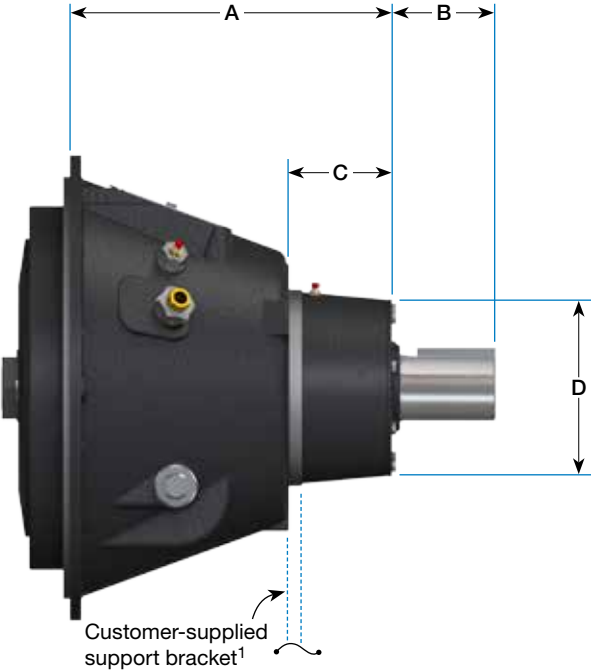


Over-the-Shaft PTO



Model	SAE Housings	A	Output Shaft			C	D	Weight lb (kg)	# of Teeth
			B	Dia	Keyway				
OTS-PL 211	3, 2	12.60 (320.0)	4.04 (102.6)	2.500 (63.50)	5/8 x 5/16 (15.9 x 7.9)	4.25 (108.0)	6.75 (171.5)	218 (99)	72
OTS-PL 311 ¹	3, 2	15.78 (400.8)	8.03 (204.0)	3.500 (88.90)	7/8 x 7/16 (22.2 x 11.1)	3.71 (94.2)	7.75 (196.9)	343 (156)	72
OTS-PL 214 ¹	1, 0	16.20 (411.5)	7.55 (191.8)	3.500 (88.90)	7/8 x 7/16 (22.2 x 11.1)	4.34 (110.2)	7.75 (196.9)	407 (185)	59
OTS-PL 314 ¹	1, 0	17.05 (433.1)	7.50 (190.5)	3.938 (100.01)	1 x 1/2 (25.4 x 12.7)	3.92 (99.6)	8.25 (209.6)	470 (213)	59

¹ Support plate for 311, 214, 314 is required for sideload applications and recommended for inline applications.