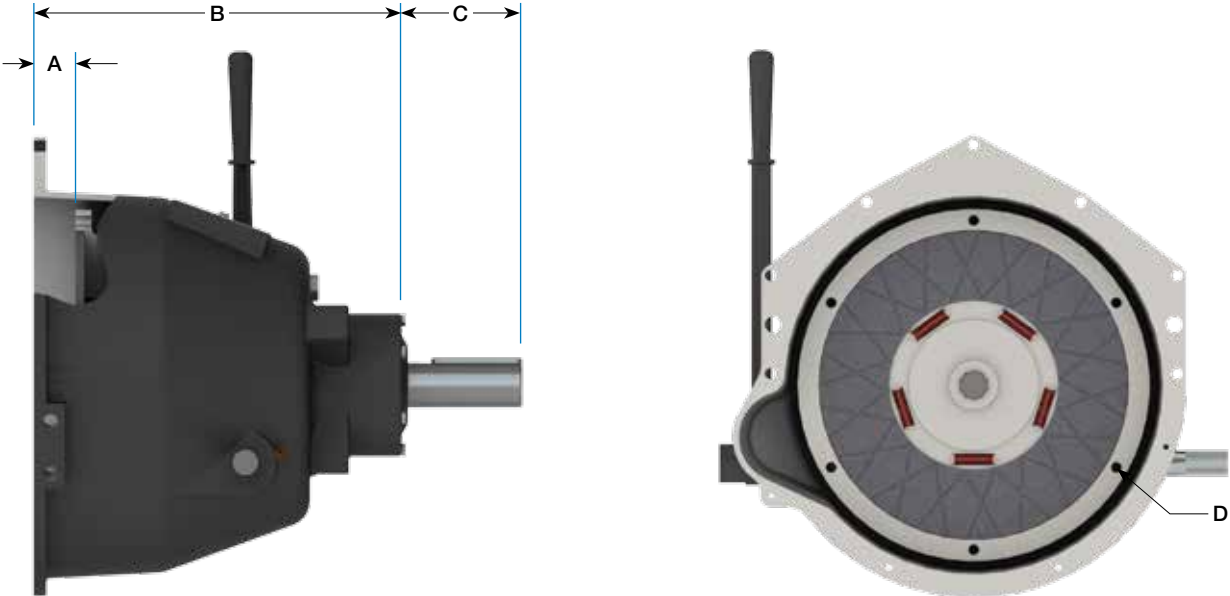


GM® Style PTO



Model	A	B	Output Shaft			D Hole			Weight lb (kg)
			C	Dia	Keyway	Bolt Circle	Qty	Dia	
GM® Style	1 11/16 (42.9)	14 7/16 (366.7)	4 7/16 (112.7)	1.750 (44.45)	3/8 x 3/16 (9.5 x 4.8)	12 5/8 (320.7)	6	3/8 (9.5)	160 (73)
GM® Style HD	1 11/16 (42.9)	14 7/16 (366.7)	4 7/16 (112.7)	2.250 (57.15)	1/2 x 1/4 (12.7 x 6.4)	12 5/8 (320.7)	6	3/8 (9.5)	160 (73)

GM® is a registered trademark of the General Motors Company