

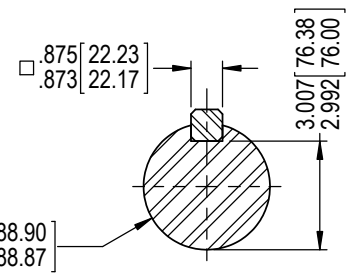
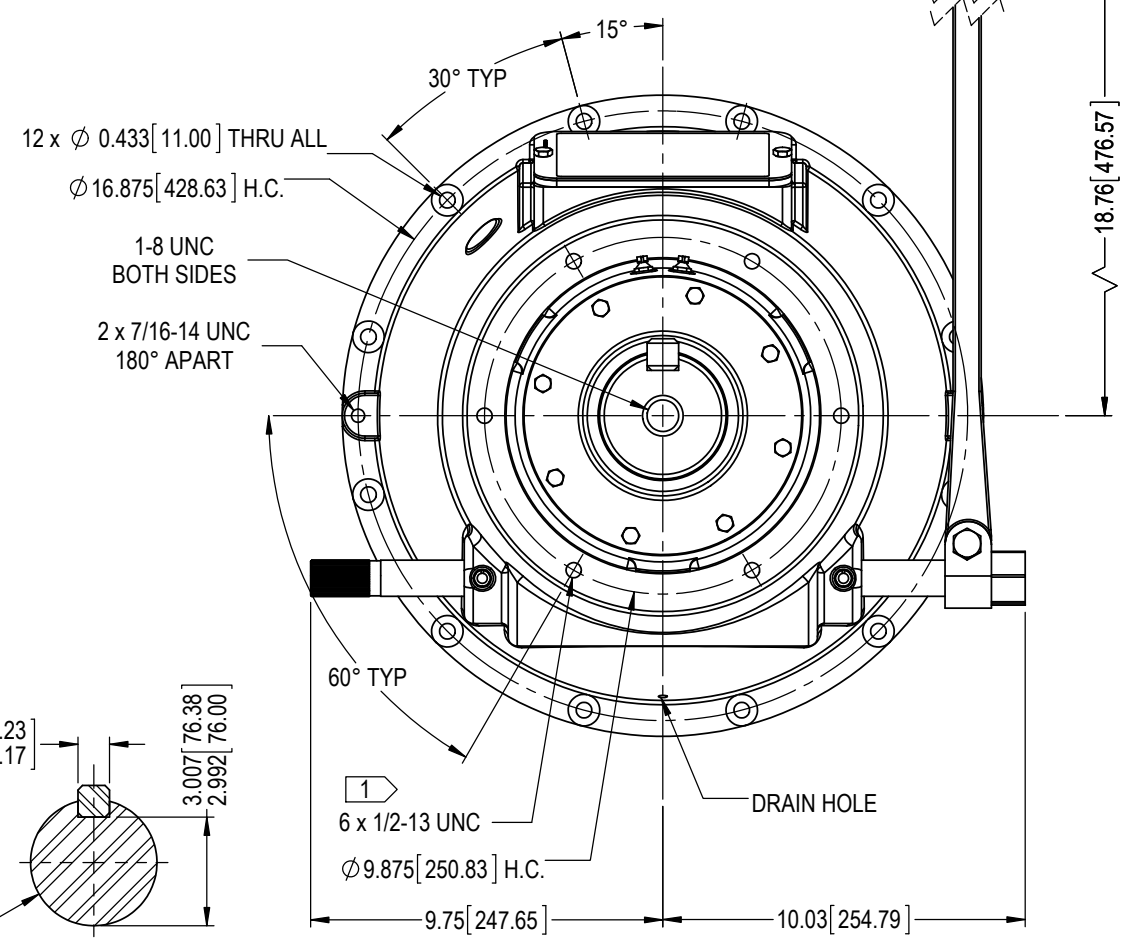
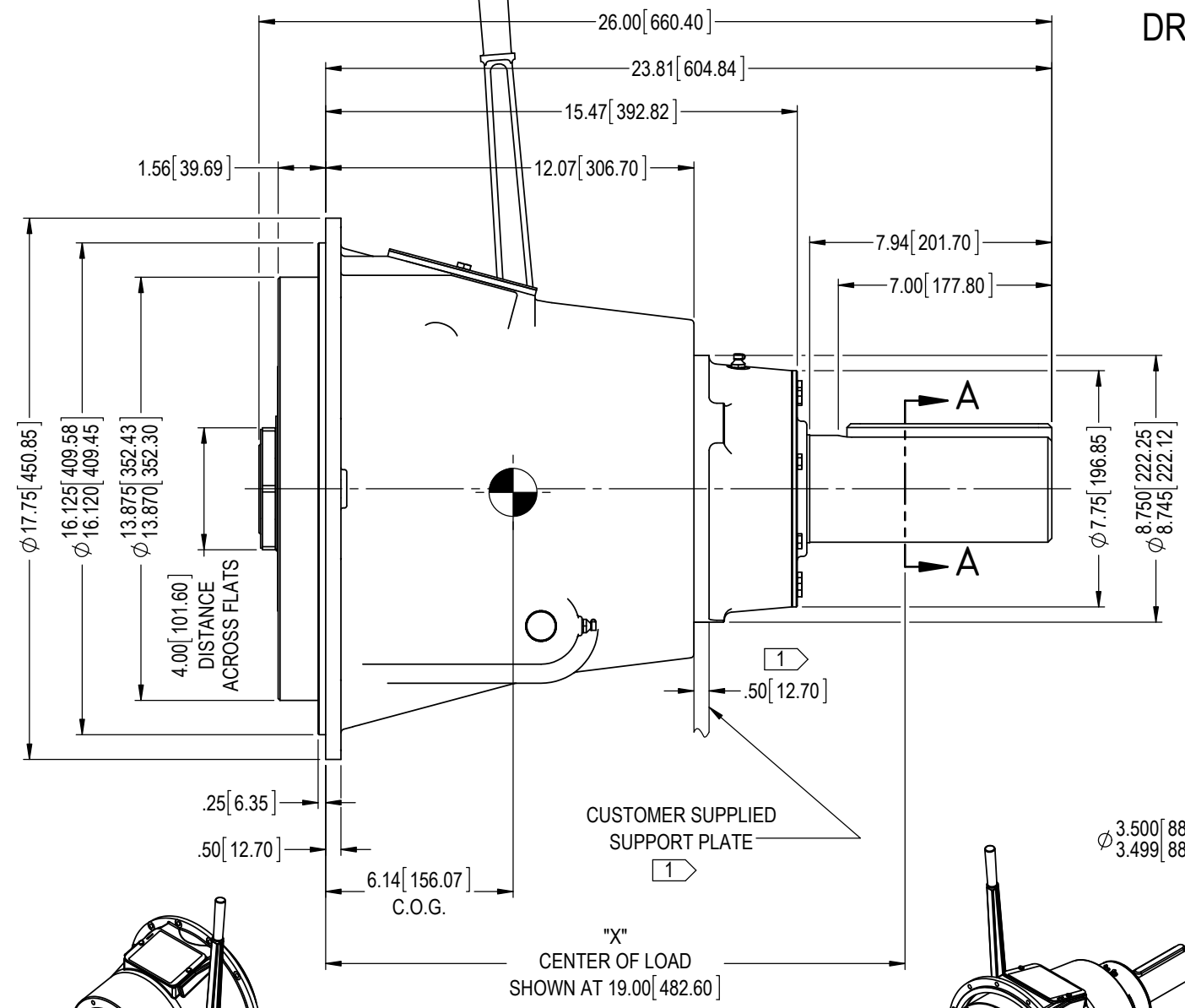
COMPLETE ASSEMBLY  
EST WT = 336 lb [153 kg]

DRIVE RING & FRICTION DISCS  
EST WT = 37 lb [16.8 kg]  
EST WR<sup>2</sup> = 10 lb·ft<sup>2</sup> [0.423 kg·m<sup>2</sup>]

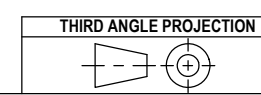
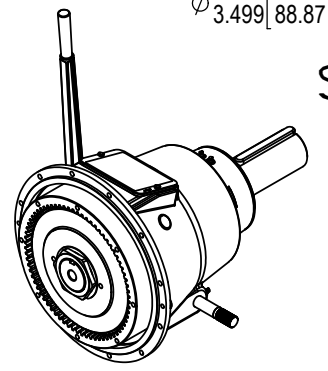
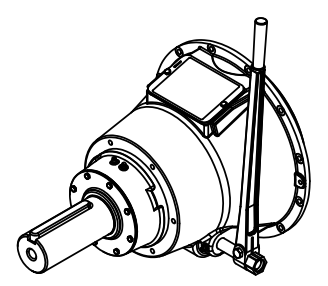
ALL ROTATING MEMBERS (PTO ENGAGED)  
EST WR<sup>2</sup> = 10.9 lb·ft<sup>2</sup> [0.459 kg·m<sup>2</sup>]

1 CUSTOMER SUPPLIED OUTBOARD SUPPORT  
PLATE IS REQUIRED FOR SIDeload APPLICATIONS AND  
RECOMMENDED FOR IN-LINE APPLICATIONS.

DRIVE RING



SECTION A-A



E	EC013388	27 Sep 17	RC
D	EC012192	14 Jan 16	RC
C	EC012152	05 Jan 16	RC
REV	REVISIONS	DATE	BY

WPT POWER CORPORATION ENGINEERING DRAWINGS ARE NOT TO BE REPRODUCED IN ANY FORM WHATSOEVER WITHOUT AUTHORIZATION	
DRAWN RC	DATE 09 Oct 15
CHECKED RDH	DATE 13 Oct 15
APPROVED BDS	DATE 10/13/2015
ISSUED RC	DATE 13 Oct 15

**WPT POWER CORPORATION**

**WPL311 MECH PTO, SAE #3  
BELLHOUSING, SEALED BALL BEARING  
COLLAR, PILOTLESS**

PART NUMBER	REVISION	SHEET	OF
WTD-11-335	E	1	1