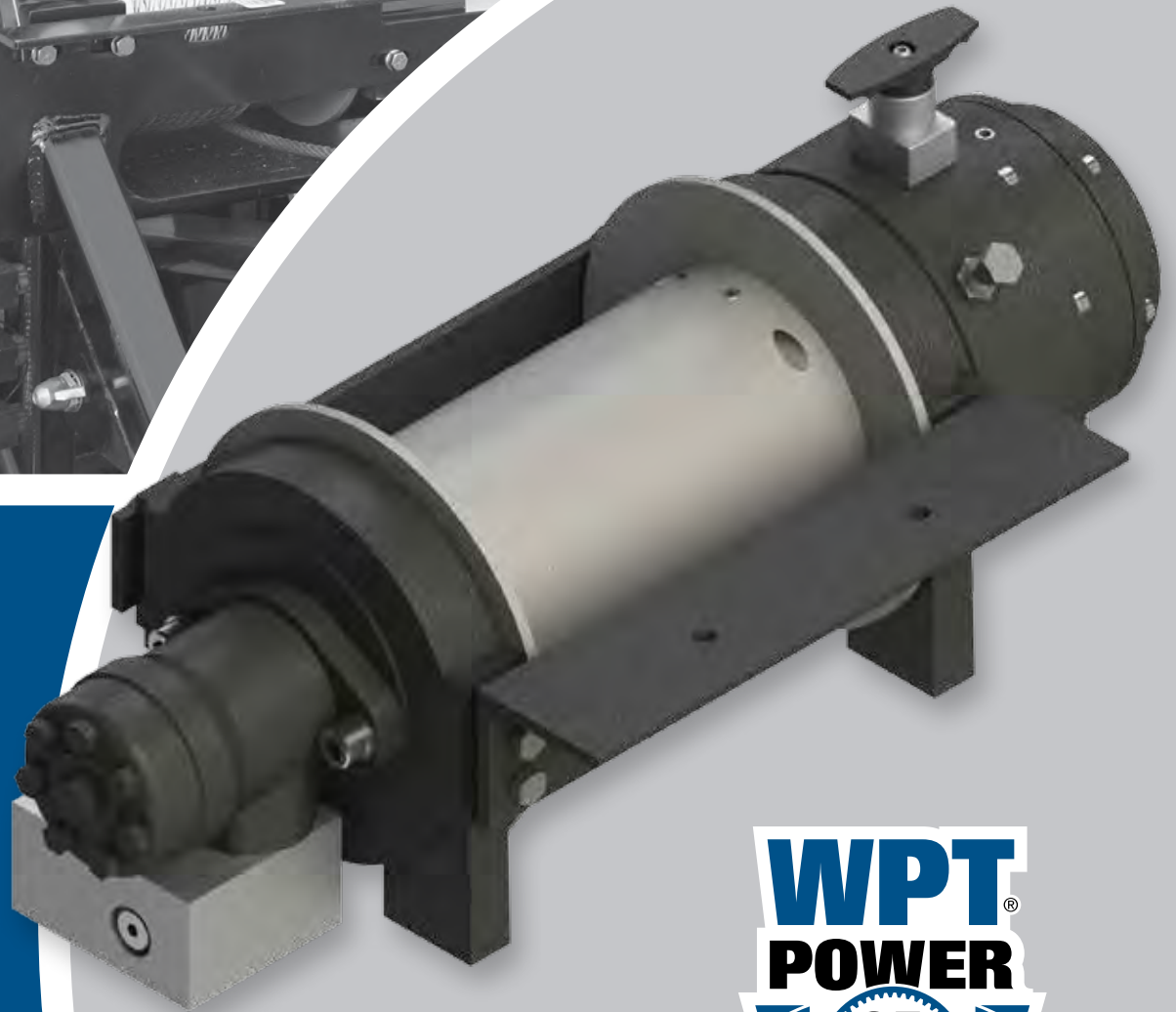
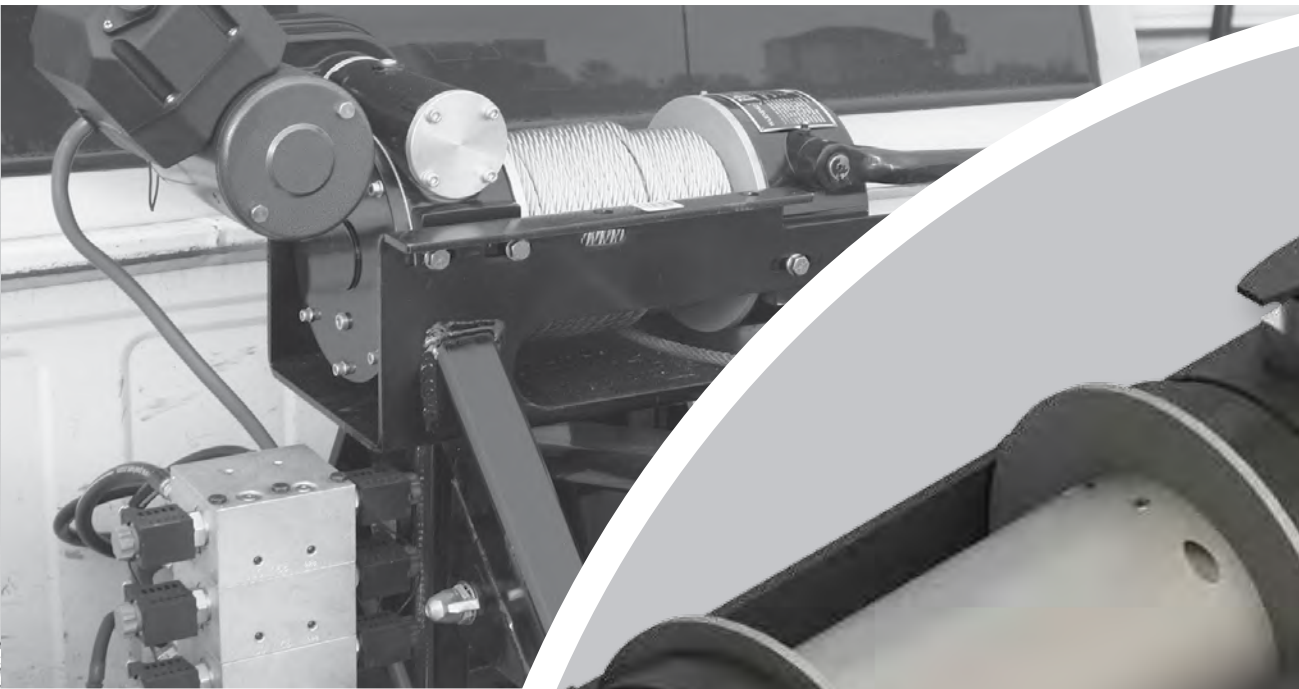


Winches and Hoists



Vision Statement

Our vision is to be the leader in every market we serve, to the benefit of our customers and our shareholders.

Mission Statement

Profitable growth through superior customer service, innovation, quality and commitment to customer satisfaction.

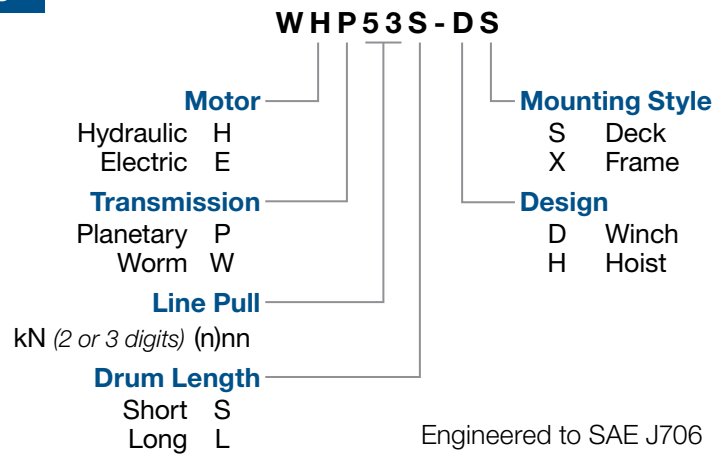


Core Values

1. We respect each other, our community and the environment.
2. We are ethical and honest in all of our business dealings.
3. We are diligent in protecting the safety of our people.
4. We are disciplined and personally accountable for our decisions, actions attitude and results.
5. We have an entrepreneur's mindset, driving innovation and striving for excellence in all we do.
6. We openly communicate among all levels of the company.
7. We believe in working as a team toward common objectives with a can-do attitude.

▶	Page 2	Planetary Hydraulic Winches 6,800 lbf through 130,000 lbf
▶	Page 14	Planetary Hydraulic Hoists 8,000 lbf through 12,000 lbf
▶	Page 19	Worm Gear Hydraulic Winches 9,000 lbf through 20,000 lbf
▶	Page 20	Winch Accessories & Swing Drives Fairleads and Cable Tensioners

Model Numbers



Engineered to SAE J706

WPT Power is constantly striving to improve and develop the product range. For this reason, WPT Power reserves the right to make changes in any product information without prior notice. Every effort has been made to ensure that the dimensions, performance, specifications, etc. are correct at the time of printing. Request drawing for specific winch dimensions. For more information, please contact your authorized WPT Power distributor or visit: WPTpower.com.

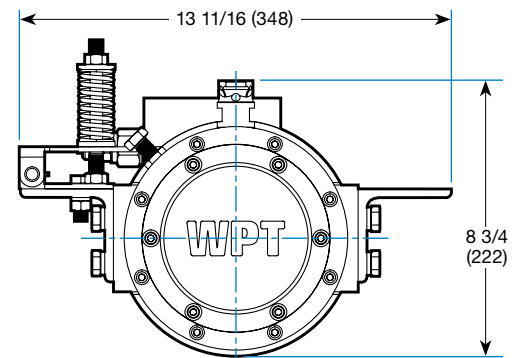
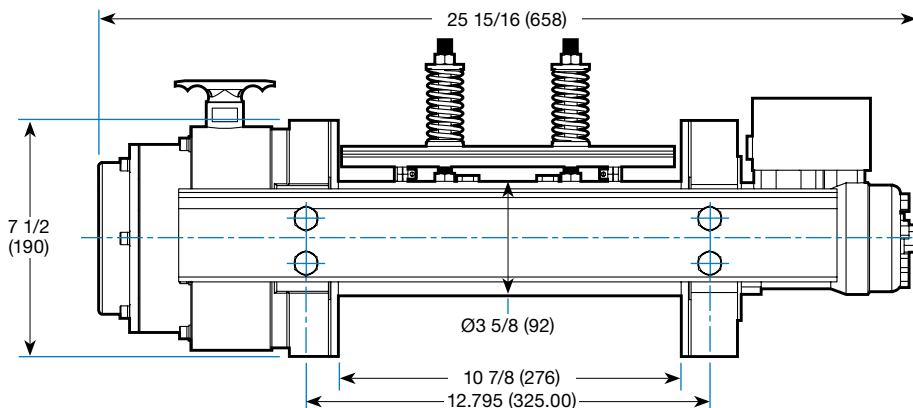
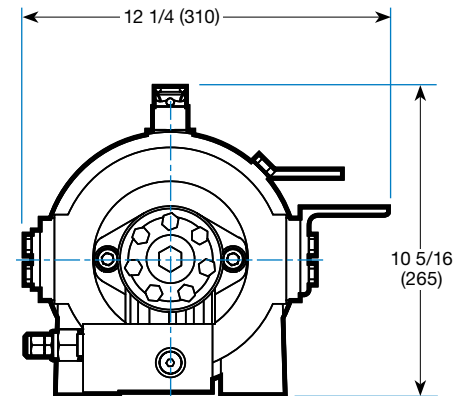
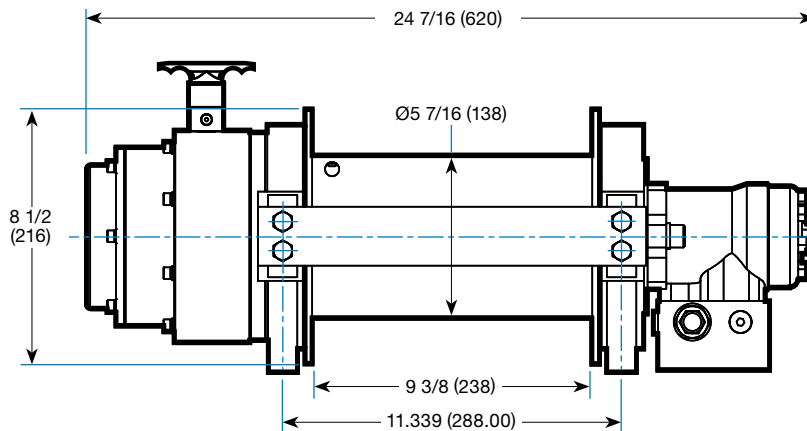
WHP26S-DS WHP40L-DS

6,800 and 9,000 lbf
Planetary Hydraulic
Winches



WHP26S-DS & WHP40L-DS Product Features:

- Efficient single-stage hydraulic planetary design
- Mechanical drag brake paired with overcenter valve for full load holding
- Spring-loaded clutch design disengages for free spooling
- Available with manual or air shift operation



Shown with optional Cable Tensioner

Winch Model	Gear Ratio	Weight lb kg	Hydraulic Motor		Bare Drum		Full Drum		Drum Capacity Cable Dia. Length
			Flow gal/min l/min	Pressure lbf/in ² MPa	Line Pull lbf kN	Line Speed ft/min m/min	Line Pull lbf kN	Line Speed ft/min m/min	
WHP26S-DS	16 : 1	96	16	2,300	6,000	67	4,500	89	5/16" - 199'
		44	60	16	26.6	20.4	20	27	8mm - 60m
WHP40L-DS	16 : 1	96	13	2,175	9,000	33.5	5,300	56.7	1/2" - 120'
		44	50	15	40	10.2	23.6	17.3	12mm - 36m

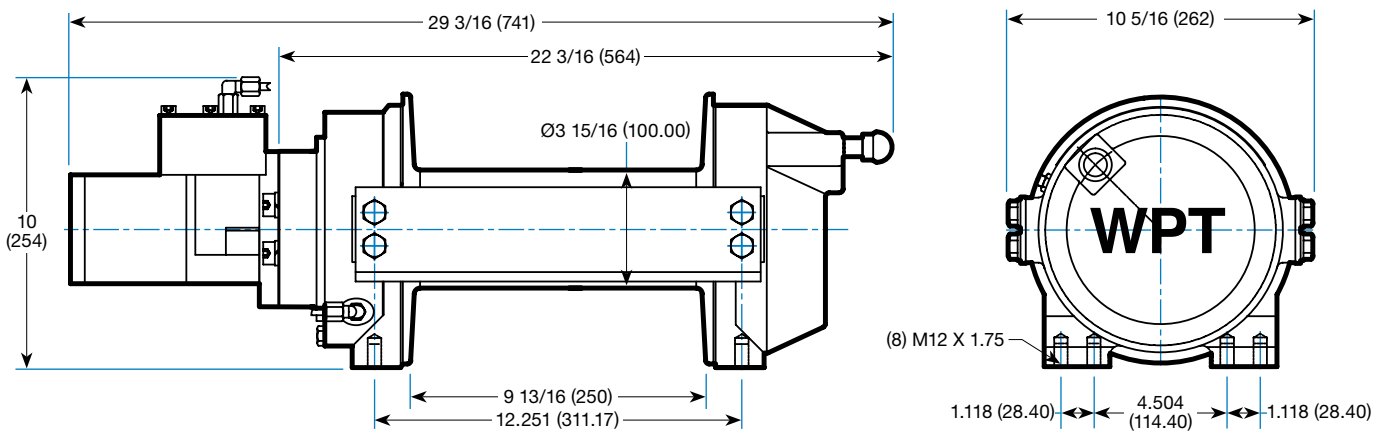
WHP53S-DS

12,000 lbf Planetary Hydraulic Winch



WHP53S-DS Product Features:

- Efficient single-stage hydraulic planetary design
- Multiple disc brake is spring-applied and hydraulically released
- Spring-loaded clutch design disengages for free spooling
- Available with manual or air shift operation



Winch Model	Gear Ratio	Weight lb kg	Hydraulic Motor		Bare Drum		Full Drum		Drum Capacity Cable Dia. Length
			Flow gal/min l/min	Pressure lbf/in ² MPa	Line Pull lbf kN	Line Speed ft/min m/min	Line Pull lbf kN	Line Speed ft/min m/min	
WHP53S-DS	5 : 1	154	16	2,800	12,000	20	6,500	36	7/16" - 160'
		70	60	19	53	6	29	11	11mm - 48m

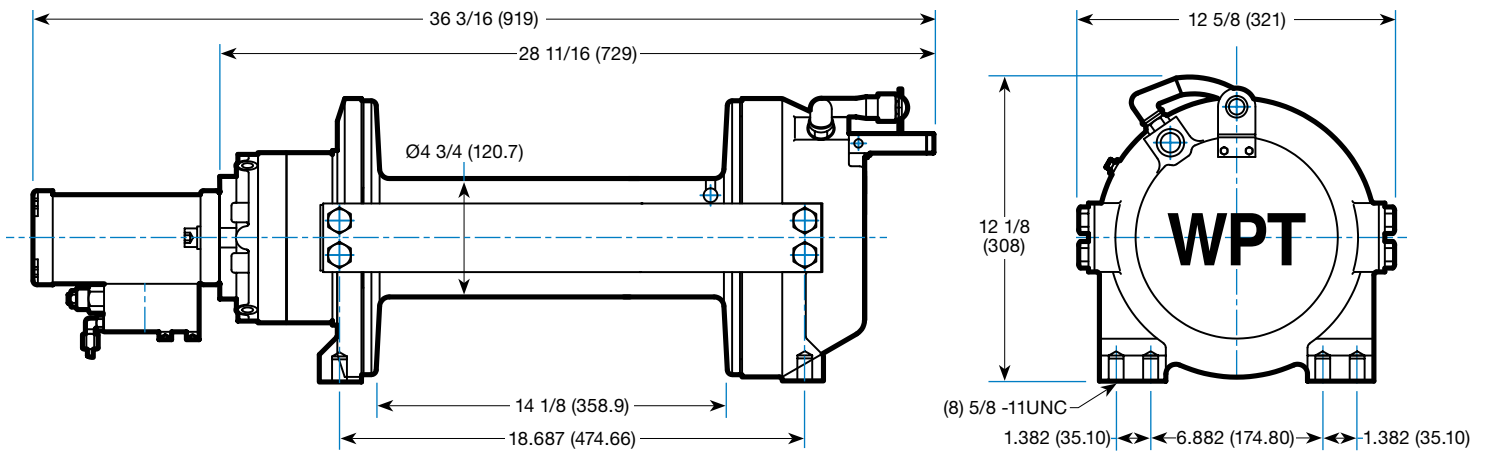
WHP67S-DS

15,000 lbf Planetary Hydraulic Winch



WHP67S-DS Product Features:

- Efficient single-stage hydraulic planetary design
- Multiple disc brake is spring-applied and hydraulically released
- Easy, fast spooling with manual or air release



Gear Ratio	Weight lb kg	Hydraulic Motor		Bare Drum		Full Drum		Drum Capacity Cable Dia. Length
		Flow gal/min l/min	Pressure lbf/in ² MPa	Line Pull lbf kN	Line Speed ft/min m/min	Line Pull lbf kN	Line Speed ft/min m/min	
7.7 : 1	300	15	2,400	15,000	25	7,600	49	1/2" - 310'
	136	57	17	67	7.6	34	15	13mm - 94m

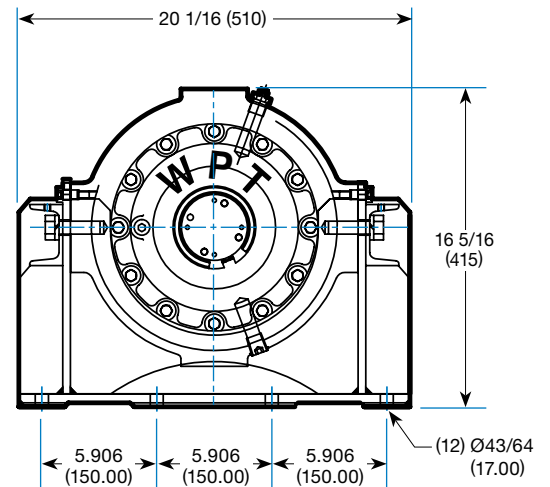
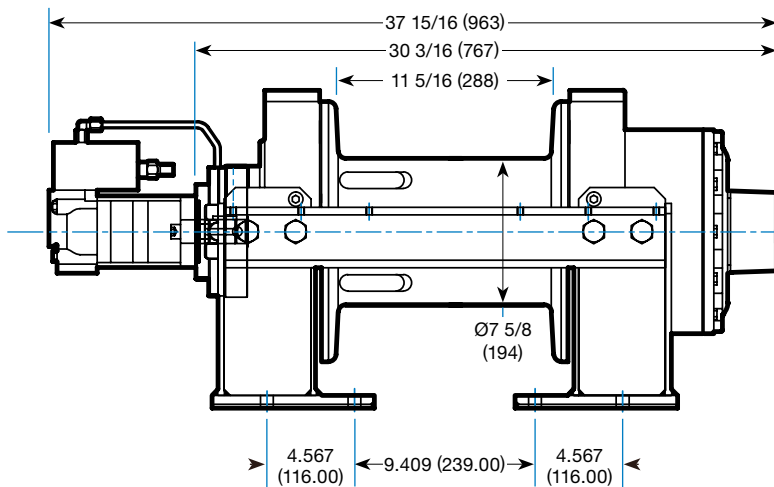
WHP102L-DS

23,000 lbf Planetary Hydraulic Winch



WHP102L-DS Product Features:

- Efficient two-stage hydraulic planetary design
- Multiple disc brake is spring-applied and hydraulically released
- Spring-loaded clutch design disengages for free spooling
- Available with manual or air shift operation



Gear Ratio	Weight lb kg	Hydraulic Motor		Bare Drum		Full Drum		Drum Capacity Cable Dia. Length
		Flow gal/min l/min	Pressure lbf/in ² MPa	Line Pull lbf kN	Line Speed ft/min m/min	Line Pull lbf kN	Line Speed ft/min m/min	
32 : 1	550	16	3,050	23,000	20	16,700	28	5/8" - 174'
	250	60	21	102	6.2	74	8.6	16mm - 53m

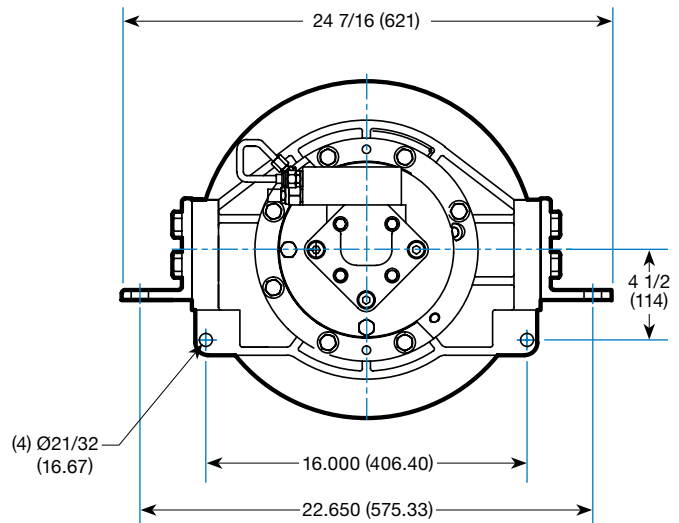
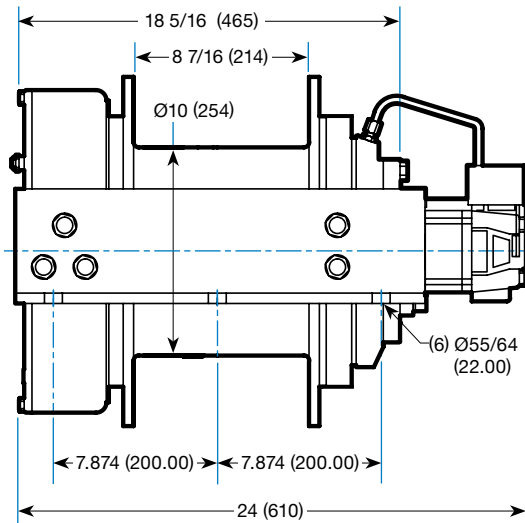
WHP102S-DS

23,000 lbf Planetary Hydraulic Winch



WHP102S-DS Product Features:

- Efficient two-stage hydraulic planetary design
- Multiple disc brake is spring-applied and hydraulically released
- Spring-loaded clutch design disengages for free spooling
- Available with manual or air shift operation



Gear Ratio	Weight lb kg	Hydraulic Motor		Bare Drum		Full Drum		Drum Capacity Cable Dia. Length
		Flow gal/min l/min	Pressure lb/in ² MPa	Line Pull lbf kN	Line Speed ft/min m/min	Line Pull lbf kN	Line Speed ft/min m/min	
36 : 1	397	16	2,320	23,000	20	17,900	26	5/8" - 207'
	180	61	16	102	6.2	79	7.9	16mm - 63m

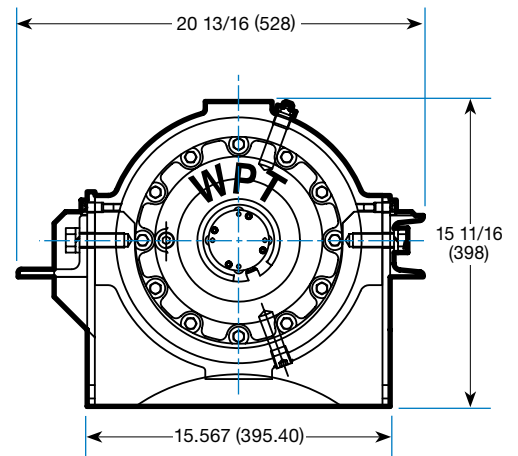
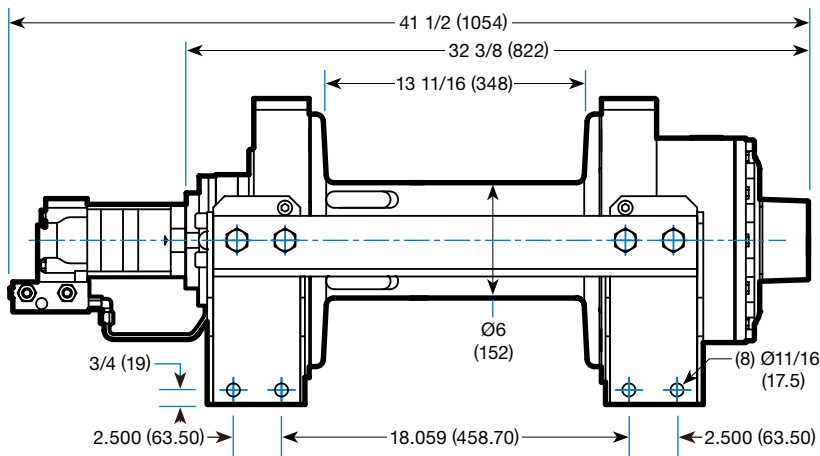
WHP134S-DS

30,000 lbf Planetary Hydraulic Winch



WHP134S-DS Product Features:

- Efficient two-stage hydraulic planetary design
- Multiple disc brake is spring-applied and hydraulically released
- Spring-loaded clutch design disengages for free spooling
- Available with manual or air shift operation



Gear Ratio	Weight lb kg	Hydraulic Motor		Bare Drum		Full Drum		Drum Capacity Cable Dia. Length
		Flow gal/min l/min	Pressure lbf/in ² MPa	Line Pull lbf kN	Line Speed ft/min m/min	Line Pull lbf kN	Line Speed ft/min m/min	
32 : 1	485	15	3,050	30,000	19	17,000	33	5/8" - 230'
	220	57	21	133	5.7	75	10	16mm - 71m

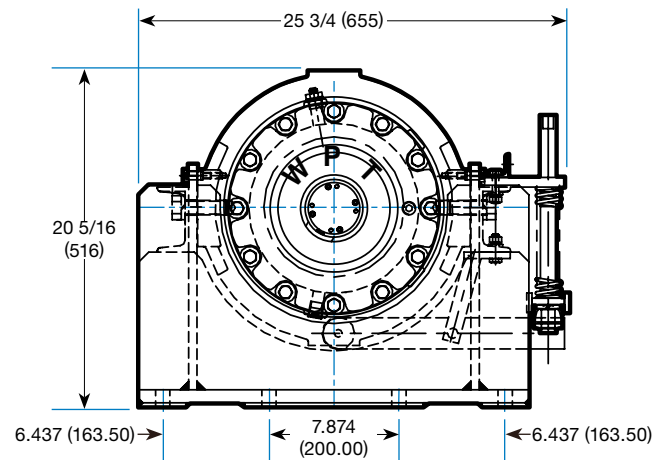
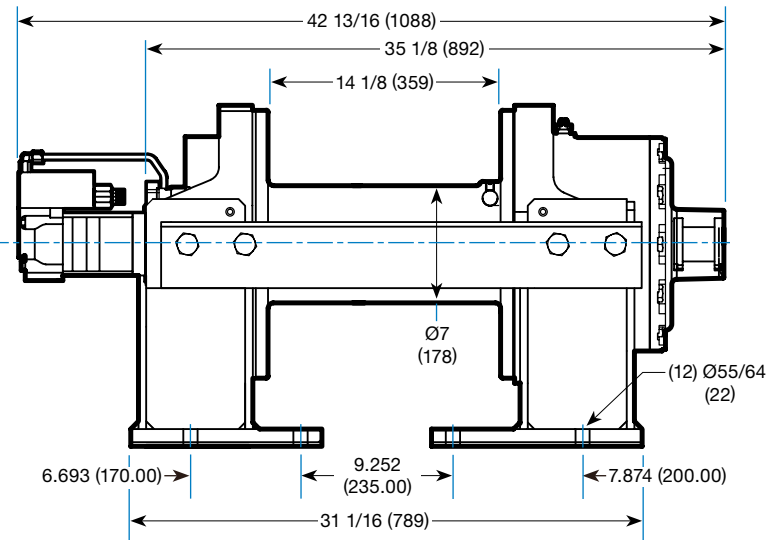
WHP147S-DS

33,000 lbf Planetary Hydraulic Winch



WHP147S-DS Product Features:

- Efficient two-stage hydraulic planetary design
- Multiple disc brake is spring-applied and hydraulically released
- Spring-loaded clutch design disengages for free spooling
- Manual shift operation



Shown with optional Cable Tensioner

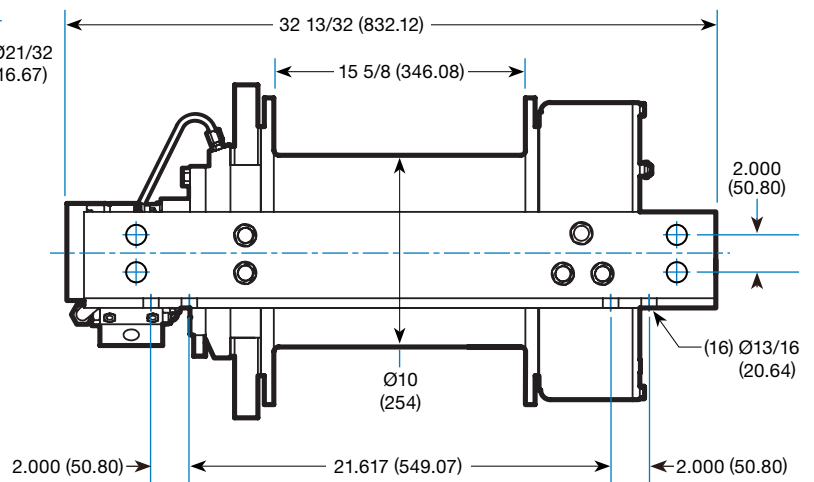
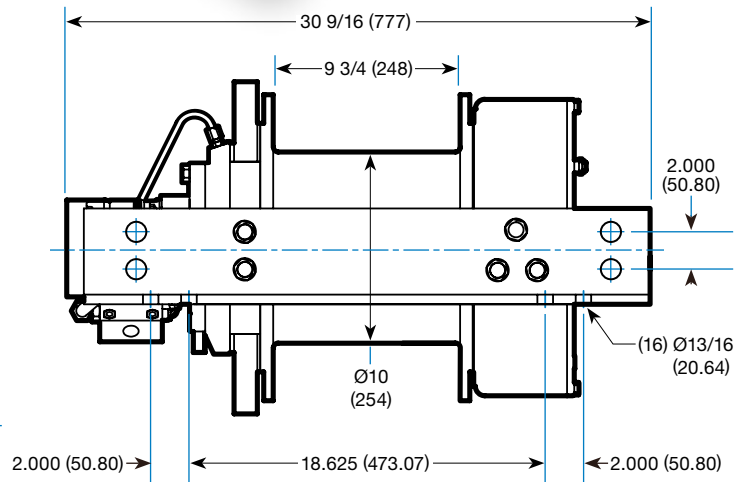
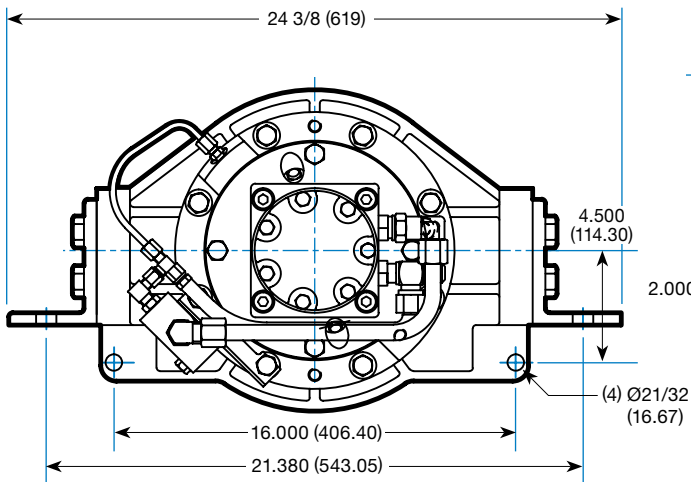
Gear Ratio	Weight lb kg	Hydraulic Motor		Bare Drum		Full Drum		Drum Capacity Cable Dia. Length
		Flow gal/min l/min	Pressure lbf/in ² MPa	Line Pull lbf kN	Line Speed ft/min m/min	Line Pull lbf kN	Line Speed ft/min m/min	
52 : 1	837	19	2,600	33,000	10	18,000	18	3/4" - 258'
	180	70	16	147	3.2	81	5.8	19mm - 79m

WHP156

35,000 lbf Planetary Hydraulic Winch

WHP156S-DS Product Features:

- Efficient two-stage hydraulic planetary design
- Multiple disc brake is spring-applied and hydraulically released
- Spring-loaded clutch design disengages for free spooling
- Air shift operation



Winch Model	Gear Ratio	Weight lb kg	Hydraulic Motor		Bare Drum		Full Drum		Drum Capacity Cable Dia. Length
			Flow gal/min l/min	Pressure lbf/in ² MPa	Line Pull lbf kN	Line Speed ft/min m/min	Line Pull lbf kN	Line Speed ft/min m/min	
WHP156S-DS	36 : 1	441	18	2,600	35,000	18	27,400	23	3/4" - 111'
		200	70	18	156	5.5	122	7	19mm - 34m
WHP156L-DS	36 : 1	441	24	2,600	35,000	17	27,400	22	3/4" - 156'
		200	91	18	156	5.1	122	6.7	19mm - 48m

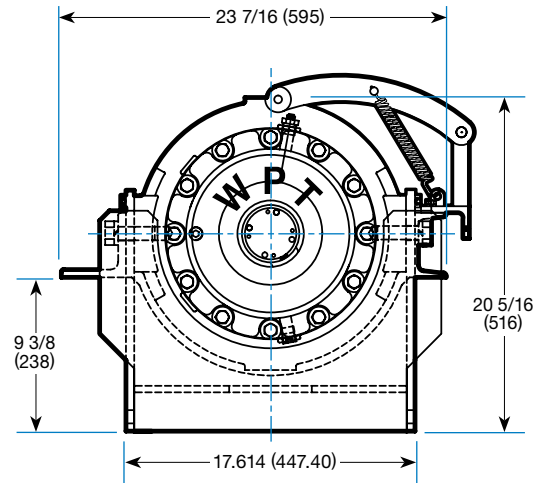
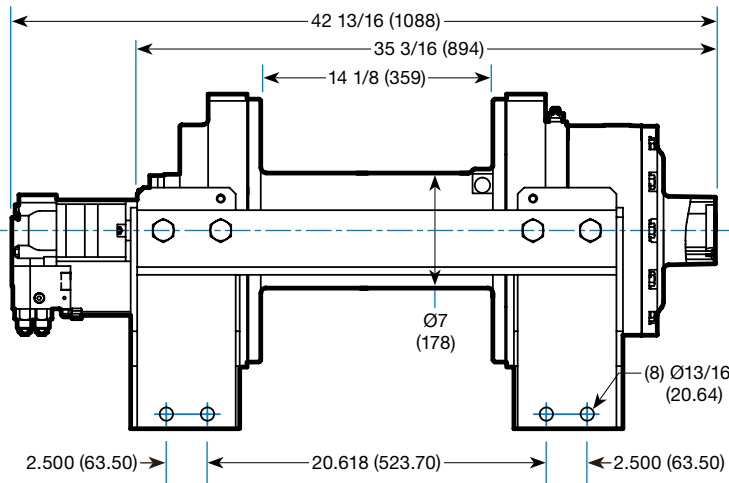
WHP200S-DS

45,000 lbf Planetary Hydraulic Winch



WHP200S-DS Product Features:

- Efficient two-stage hydraulic planetary design
- Multiple disc brake is spring-applied and hydraulically released
- Spring-loaded clutch design disengages for free spooling
- Air shift operation



Shown with optional Cable Tensioner

Gear Ratio	Weight lb kg	Hydraulic Motor		Bare Drum		Full Drum		Drum Capacity Cable Dia. Length
		Flow gal/min l/min	Pressure lbf/in ² MPa	Line Pull lbf kN	Line Speed ft/min m/min	Line Pull lbf kN	Line Speed ft/min m/min	
52 : 1	800	25	3,050	45,000	23	25,300	40	3/4" - 255'
	360	95	21	200	7	112	12	19mm - 78m

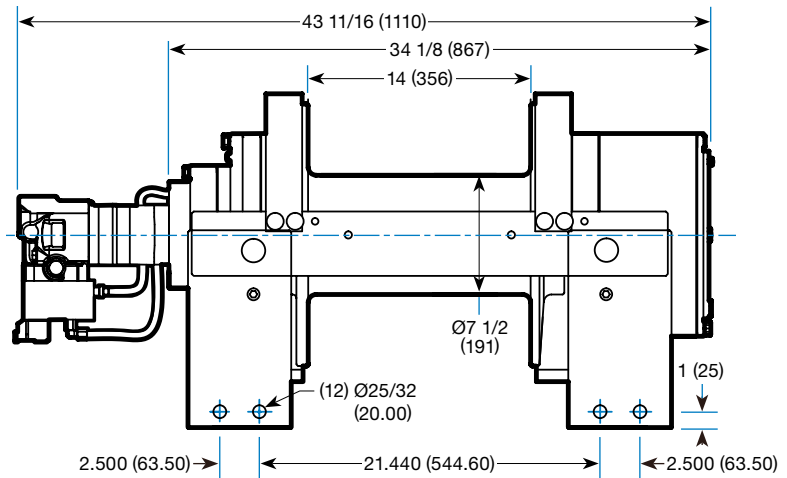
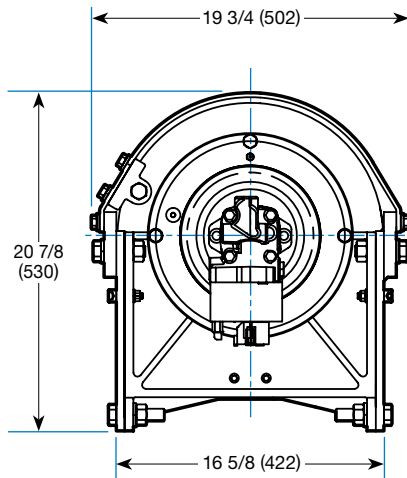
WHP223S-DS

50,000 lbf Planetary Hydraulic Winch



WHP223S-DS Product Features:

- Efficient three-stage hydraulic planetary design
- Multiple disc brake is spring-applied and hydraulically released
- Spring-loaded clutch design disengages for free spooling
- Air shift operation



Gear Ratio	Weight lb kg	Hydraulic Motor		Low Speed				High Speed				Drum Capacity Cable Dia. Length
		Flow gal/min l/min	Pressure lbf/in ² MPa	Bare Drum		Full Drum		Bare Drum		Full Drum		
				Line Pull lbf kN	Line Speed ft/min m/min	Line Pull lbf kN	Line Speed ft/min m/min	Line Pull lbf kN	Line Speed ft/min m/min	Line Pull lbf kN	Line Speed ft/min m/min	
84 : 1	930	25	2,900	50,000	18	27,200	33	25,000	36	13,600	66	7/8" - 224'
	420	95	20	222	5.5	121	10	111	11	61	20	22mm - 68m

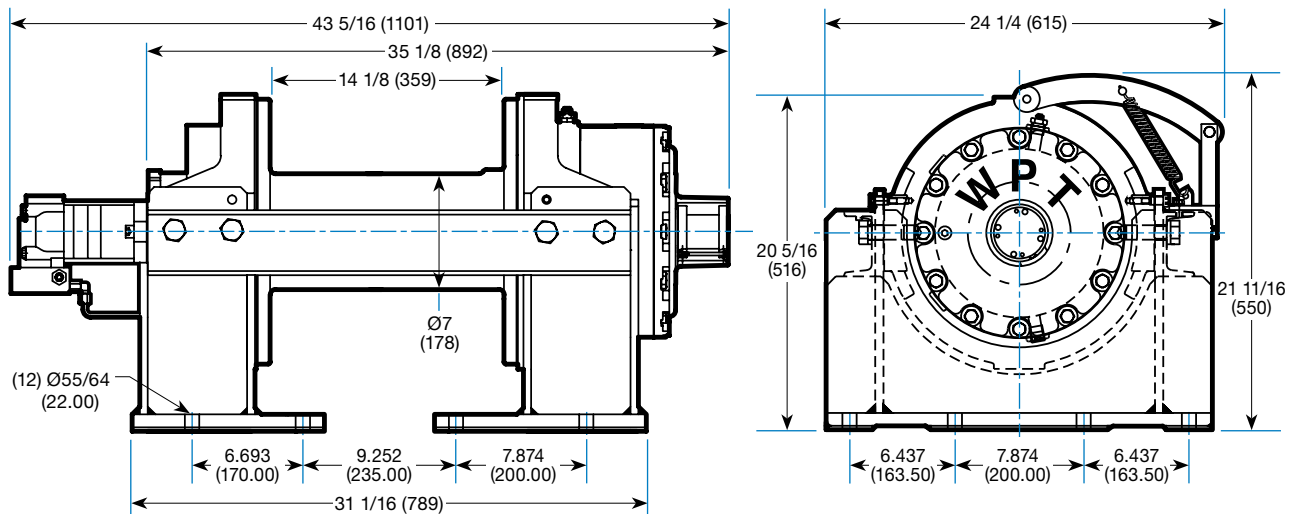
WHP245S-DS

55,000 lbf Planetary Hydraulic Winch



WHP245S-DS Product Features:

- Efficient two-stage hydraulic planetary design
- Multiple disc brake is spring-applied and hydraulically released
- Spring-loaded clutch design disengages for free spooling
- Air shift operation



Shown with optional Cable Tensioner

Gear Ratio	Weight lb kg	Hydraulic Motor		Bare Drum		Full Drum		Drum Capacity Cable Dia. Length
		Flow gal/min l/min	Pressure lbf/in ² MPa	Line Pull lbf kN	Line Speed ft/min m/min	Line Pull lbf kN	Line Speed ft/min m/min	
52 : 1	840	14	3,000	55,000	9.8	30,500	18	7/8" - 233'
	380	53	21	245	3	136	5.4	22mm - 71m

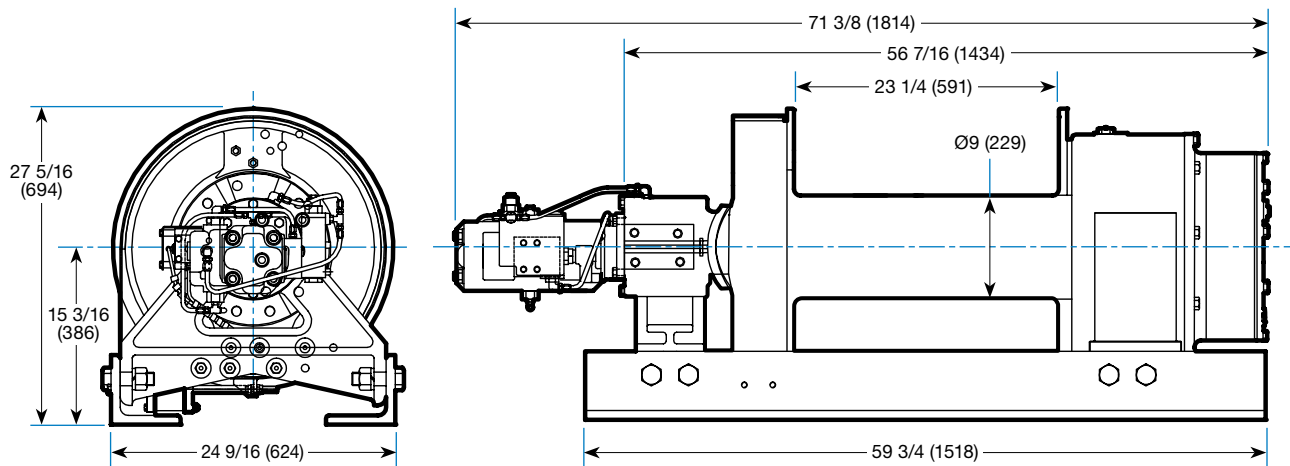
WHP585S-DS

130,000 lbf Planetary Hydraulic Winch



WHP580S-DS Product Features:

- Efficient three-stage hydraulic planetary design
- Multiple disc brake is spring-applied and hydraulically released
- Spring-loaded clutch design disengages for free spooling
- Air shift operation



Gear Ratio	Weight lb kg	Hydraulic Motor		Low Speed				High Speed				Drum Capacity Cable Dia. Length
		Flow gal/min l/min	Pressure lbf/in ² MPa	Bare Drum		Full Drum		Bare Drum		Full Drum		
				Line Pull lbf kN	Line Speed ft/min m/min	Line Pull lbf kN	Line Speed ft/min m/min	Line Pull lbf kN	Line Speed ft/min m/min	Line Pull lbf kN	Line Speed ft/min m/min	
212 : 1	2,200	60	2,500	130,000	16	62,000	32	65,000	32	31,000	64	1 1/8" - 495'
	1,000	230	18	580	5	280	10	290	10	140	20	28.6mm - 151m

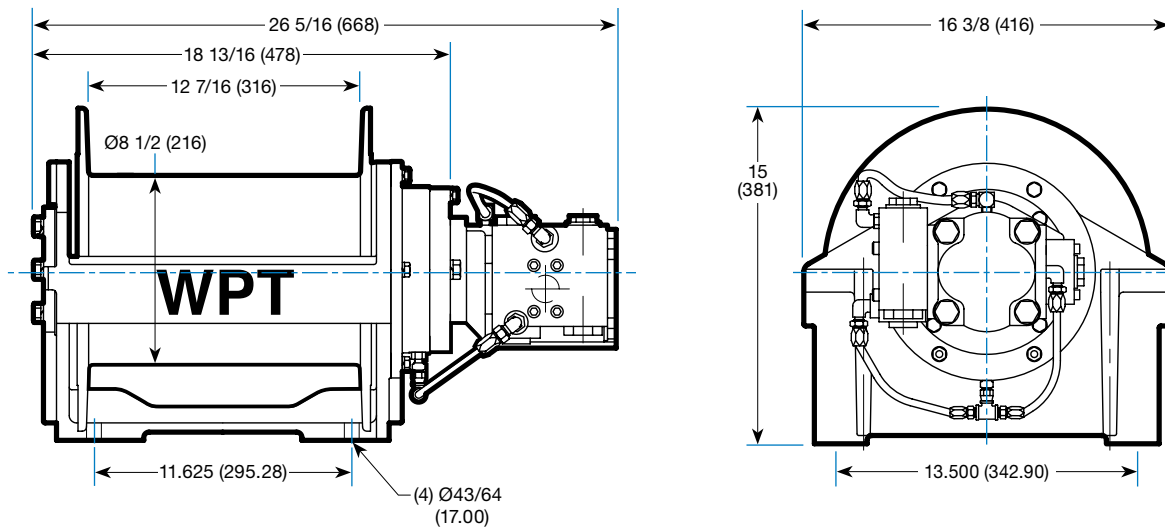
WHP36S-HS

8,000 lbf Planetary Hydraulic Hoist



WHP36S-HS Product Features:

- Efficient two-stage hydraulic planetary design
- Multiple disc brake is spring-applied and hydraulically released
- Easily serviced compact design
- Manual override option available



Gear Ratio	Weight lb kg	Hydraulic Motor		Bare Drum		Full Drum		Drum Capacity Cable Dia. Length
		Flow gal/min l/min	Pressure lbf/in ² MPa	Line Pull lbf kN	Line Speed ft/min m/min	Line Pull lbf kN	Line Speed ft/min m/min	
59 : 1	415	65	1,400	8,000	138	5,600	200	1/2" - 344'
	188	246	9.7	36	42	25	60	13mm - 105m

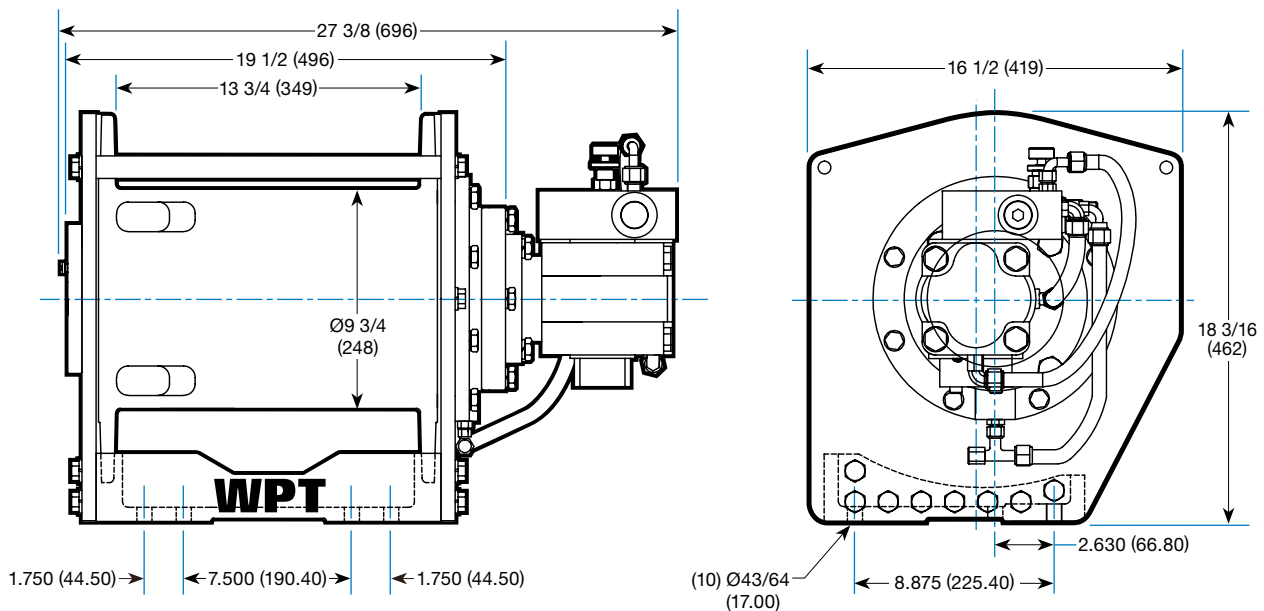
WHP53S-HS

12,000 lbf Planetary Hydraulic Hoist



WHP53S-HS Product Features:

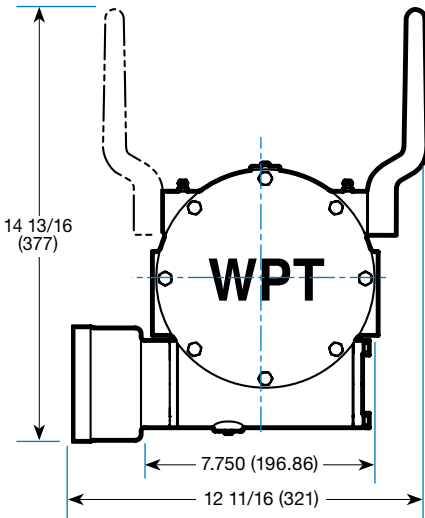
- Efficient two-stage hydraulic planetary design
- Multiple disc brake is spring-applied and hydraulically released
- Easily serviced compact design
- Manual override option available



Gear Ratio	Weight lb kg	Hydraulic Motor		Bare Drum		Full Drum		Drum Capacity Cable Dia. Length
		Flow gal/min l/min	Pressure lbf/in ² MPa	Line Pull lbf kN	Line Speed ft/min m/min	Line Pull lbf kN	Line Speed ft/min m/min	
59 : 1	595	75	1,700	12,000	154	6,600	260	1/2" - 438'
	270	284	12	53	47	29	79	13mm - 130m

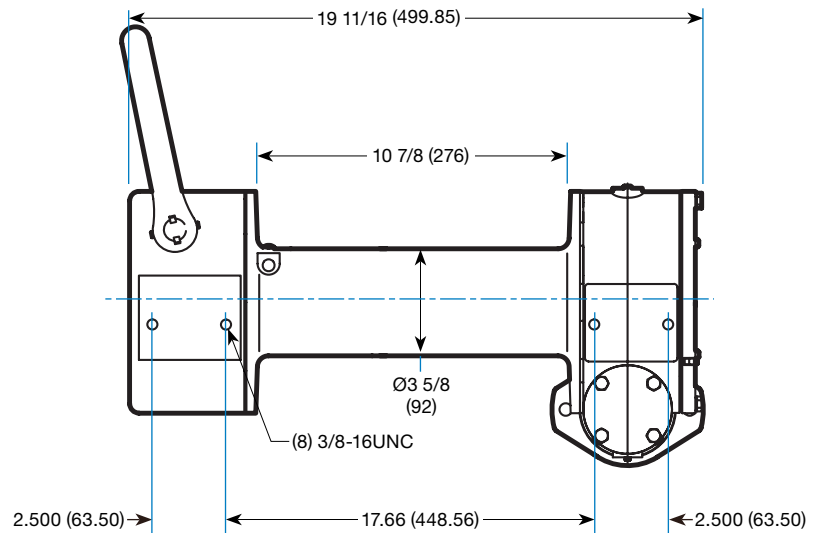
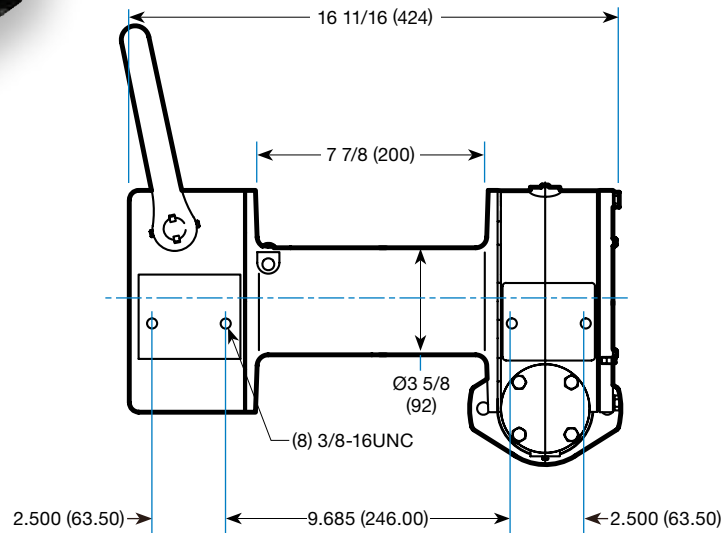
WHW40S-DS

9,000 lbf Worm Gear Hydraulic Winch



WHW40S-DS Product Features:

- Robust worm gear design that holds the load even if the power fails or is interrupted
- Lever actuated clutch allows cable to be unspooled rapidly
- A rugged cast ductile or steel drum that withstands high impact loads and cable wear
- Cast aluminum worm and clutch housing and cover making it extremely strong and lightweight



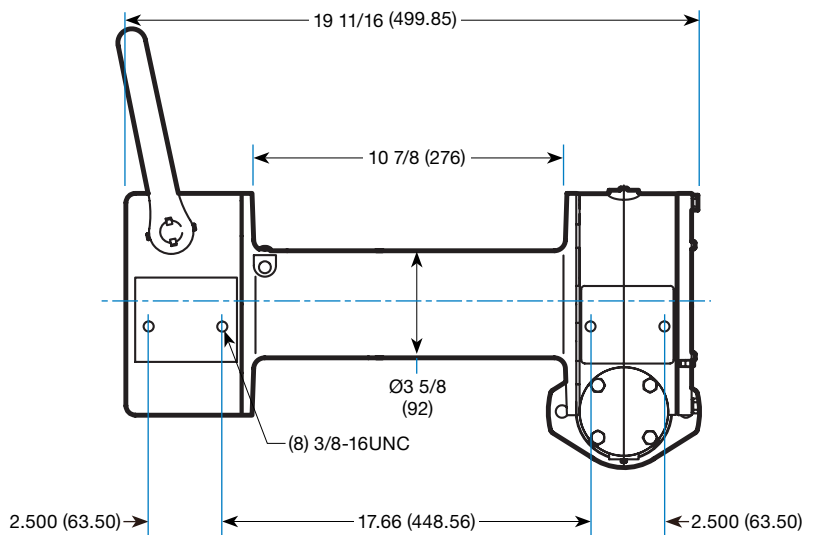
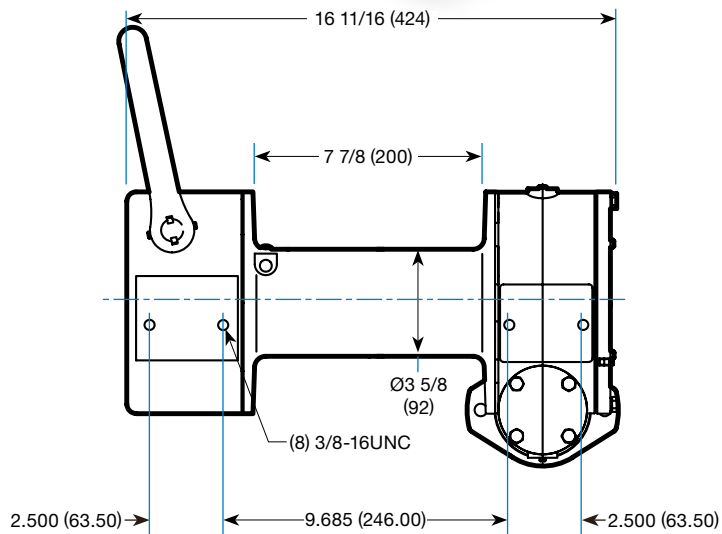
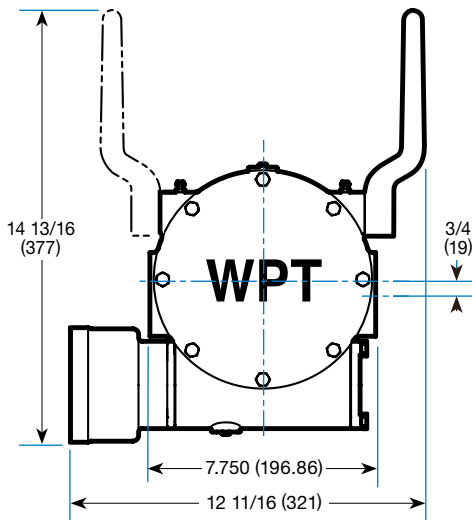
Winch Model	Gear Ratio	Weight lb kg	Hydraulic Motor		Bare Drum		Full Drum		Drum Capacity Cable Dia. Length
			Flow gal/min l/min	Pressure lbf/in ² MPa	Line Pull lbf kN	Line Speed ft/min m/min	Line Pull lbf kN	Line Speed ft/min m/min	
WHW40S-DS	60 : 1	71	16	2,000	9,000	13	5,800	21	3/8" - 98'
		32	60	14	40	4.1	26	6.5	10mm - 30m
WHW40L-DS	60 : 1	77	16	2,000	9,000	12	5,800	18	3/8" - 135'
		35	60	14	40	3.5	26	5.5	10mm - 41m

WHW49

11,000 lbf Worm Gear Hydraulic Winch

WHW49L-DS Product Features:

- Robust worm gear design that holds the load even if the power fails or is interrupted
- Lever actuated clutch allows cable to be unspooled rapidly
- A rugged cast ductile or steel drum that withstands high impact loads and cable wear
- Cast aluminum worm and clutch housing and cover making it extremely strong and lightweight
- Air shift operation allows for remote shifting capabilities



Winch Model	Gear Ratio	Weight lb kg	Hydraulic Motor		Bare Drum		Full Drum		Drum Capacity Cable Dia. Length
			Flow gal/min l/min	Pressure lbf/in ² MPa	Line Pull lbf kN	Line Speed ft/min m/min	Line Pull lbf kN	Line Speed ft/min m/min	
WHW49L-DS	60 : 1	79	16	2,000	11,000	12	6,600	20	7/16" - 112'
		36	60	14	49	3.8	26	6.2	11mm - 34m
WHW49S-DS	60 : 1	78	16	2,000	11,000	15.5	6,600	24	3/8" - 135'
		35	60	14	49	4.8	26	7.2	10mm - 41m

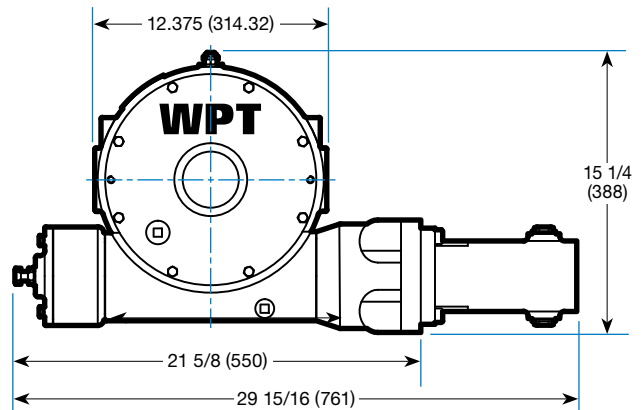
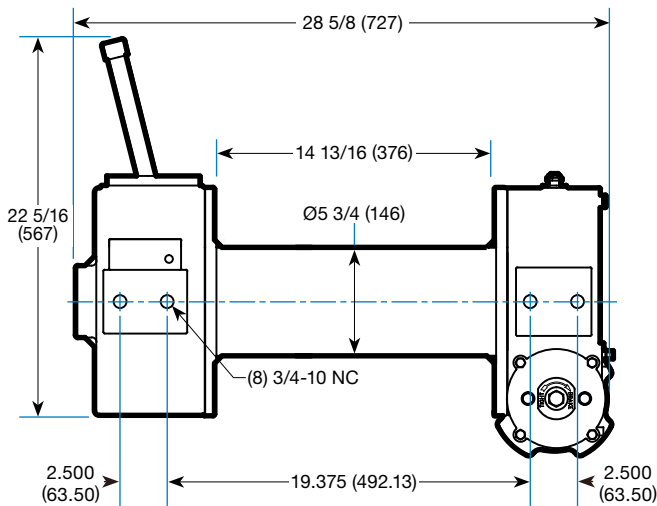
WHW89S-DS

20,000 lbf Worm Gear Hydraulic Winch



WHW89S-DS Product Features:

- Robust worm gear design that holds the load even if the power fails or is interrupted
- Lever actuated clutch allows cable to be unspooled rapidly
- Rugged cast ductile or steel drum withstands high impact loads and cable wear
- Extremely strong and lightweight cast aluminum worm and clutch housings and cover



Gear Ratio	Weight lb kg	Hydraulic Motor		Bare Drum		Full Drum		Drum Capacity Cable Dia. Length
		Flow gal/min l/min	Pressure lbf/in ² MPa	Line Pull lbf kN	Line Speed ft/min m/min	Line Pull lbf kN	Line Speed ft/min m/min	
40 : 1	386	18	2,300	20,000	22	12,400	35	5/8" - 180'
	175	68	16	89	6.7	55	11	16mm - 54m

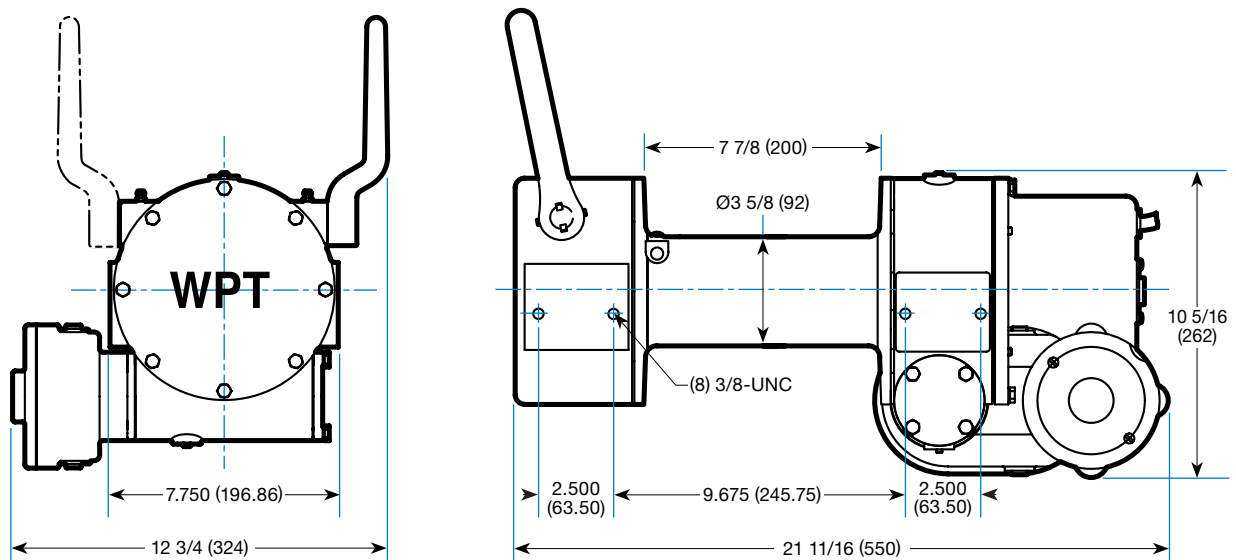
WEW40S-DS

9,000 lbf Worm Gear Electric Winch



WEW40S-DS Product Features:

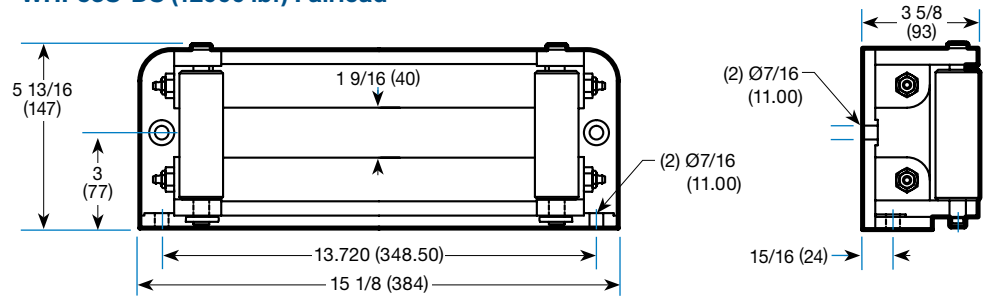
- Easy to install with 12 or 24 volt DC connection
- Robust worm gear design that holds the load even if the power fails or is interrupted
- Lever actuated clutch allows cable to be unspooled rapidly
- A rugged cast ductile steel drum that withstands high impact loads and cable wear
- Cast aluminum worm and clutch housing and cover making it extremely strong and lightweight
- Available with manual or air shift operation



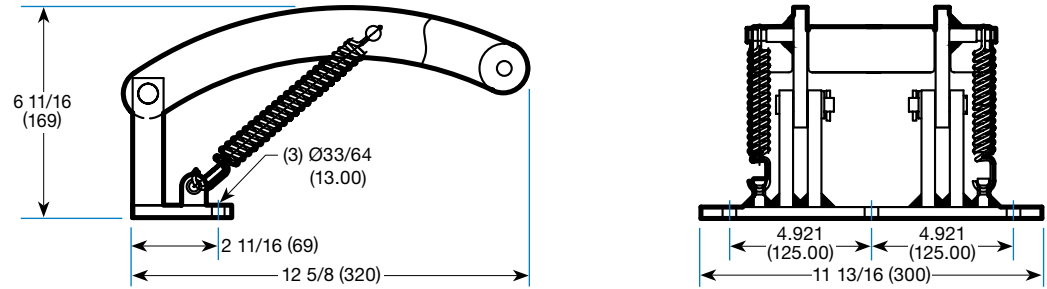
Long drum winch number WEW40L-DS is available, drum length 10 7/8" (276) with 125 ft (38m) wire rope capacity.

Gear Ratio	Voltage V	Weight lb kg	Bare Drum		Full Drum		Drum Capacity Cable Dia. Length
			Line Pull lbf kN	Line Speed ft/min m/min	Line Pull lbf kN	Line Speed ft/min m/min	
470 : 1	12 / 24	84	9,000	14	5,800	22	3/8" - 98'
		38	40	4.3	26	6.7	10mm - 30m

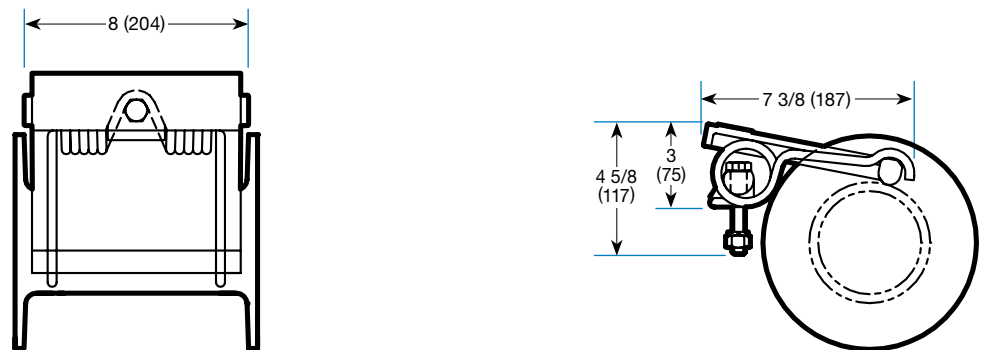
WHP53S-DS (12000 lbf) Fairlead



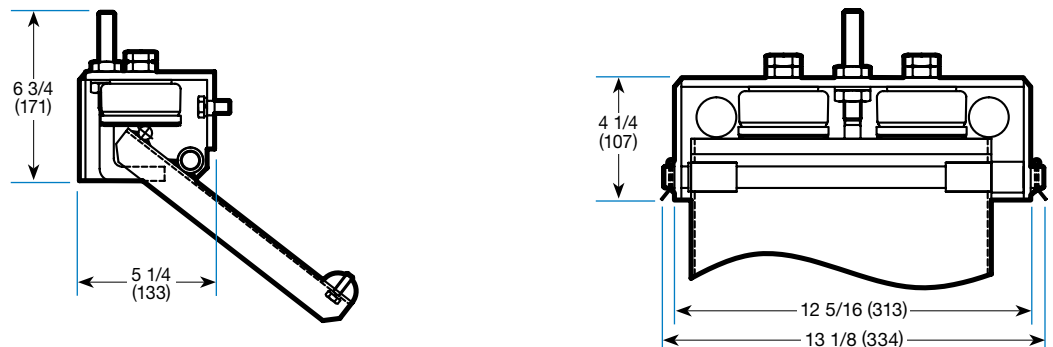
WHP102S-DS (23000 lbf) Cable Tensioner



WHW40S-DS (9000 lbf) Cable Tensioner



WHP223S-DS (50000 lbf) Cable Tensioner



Note: Please contact WPT® engineers for more technical information.

Swing Drives



WPT Power provides custom swing drive solutions to meet OEM application requirements.

Swing Drive Product Features:

- Robust worm gear designs
- Multiple input/output options
- Ranged from 3,000 in-lbs to 40,000 in-lbs



Global resource network

Our extensive network of knowledgeable distributors ensures that your product needs will be met quickly and with minimum downtime – when and wherever you are, worldwide.



WPT Power Corporation
1600 Fisher Road
Wichita Falls, Texas 76305
U.S.A.

P.O. Box 8148
Wichita Falls, Texas 76307

+1 940-761-1971 Phone
+1 940-761-1989 Fax
WPTpower.com

WPT Power (Shanghai) Ltd.
No. 3-4 Building
669 MinTa Road
Songjiang, Shanghai, PRC
201617

+86-21-57847560 Phone
+86-21-57847553 Fax
WPTpower.com.cn